

JC Series Jaw Crusher

Reach new height with KEFID

- Advanced movable jaw assembly
- Forged heavy eccentric shaft
- Adopting finite element analysis technology
- Integral cast steel is adopted for bearing seat





As China's largest crushing plant, mill equipments and beneficiation plants production base, kefid has exported large quantities and high-end mobile crushing plant and milling equipments to Russia, Kazakhstan, Indonesia, Ecuador, South Africa, Saudi Arabia, Oman more than 100 countries and regions and have solved about thousands of and beneficiation projects all over the world, which has made tremendous contributions to the local construction, mining industry and developments.

The JC series of European jaw crushers adopt World-level manufacturing technology, and it has a larger crushing ratio, higher production and low cost, which can be used for secondary and fine crushing to process hard and abrasion mineral stones and rocks in metallurgy, mine, chemical, cement, building construction, fireproof material and ceramics industry. Compared with the traditional jaw crushers, JC series of European jaw crushers improved the equipment structure and the material quality, so JC Series Jaw Crusher is ideal crusher to crush the mineral stone, rock and slag with compression resistance below 320Mpa.



JC European jaw crushers adopt World-level manufacturing technology

1. Advanced technology, high quality material

Adopting world-level manufacturing technology, the most high-end raw materials and the finite element analysis of technology which improves the strength of the crusher.

2. Optimize the crushing cavity, improve the equipment structure

Crusher chamber adopts "V" structure which could make actual feed width comply with the nominal one; A newly designed tooth-shape side plate, makes the available area of jaw plate longer, and enhances the capacity.

3. More advanced movable jaw assembly lengthens life of crusher

Movable jaw assembly is made from cast piece with high-quality, is driven by two large flying wheels which are made from cast steel. Moreover, heavy eccentric shaft is processed by forged mold. All of these make the European Type Jaw Crusher extremely reliable.

4. Integral cast steel structure is adopted for bearing seat

Integral cast steel bearing matches well with the crusher frame, at the same time, radial strength of the bearing seat is highly strengthened. However, the separate bearing seat does not have this advantage.

5. Adjustment of the discharge part is more convenient

The adjustment methods: gasket adjustment, hydraulic assistant adjustment, wedge block and wedge hydraulic adjustment.

6. Bearing with larger model and higher load are used.

All jaw crusher is equipped with larger bearing compared with same model of normal jaw crusher. Its higher load capacity and effective oil seal will lengthen the life of bearing.





Primary mobile crushing plant • Mobile JC series of European Jaw Crusher

Main Features

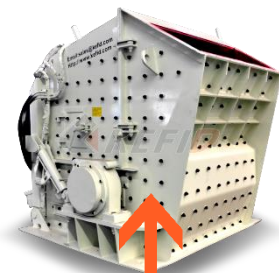
Compact frame classis decreases the length of material conveying.

Easily adopted from single crushing application to multi-crushers cooperation.

Pre-screening function makes much more capacity ever.for the whole machine.

Exchangeable on the main machines satisfy the various needs from clients.

The flexiable and motorized parking features ensure its immediate operating mode.



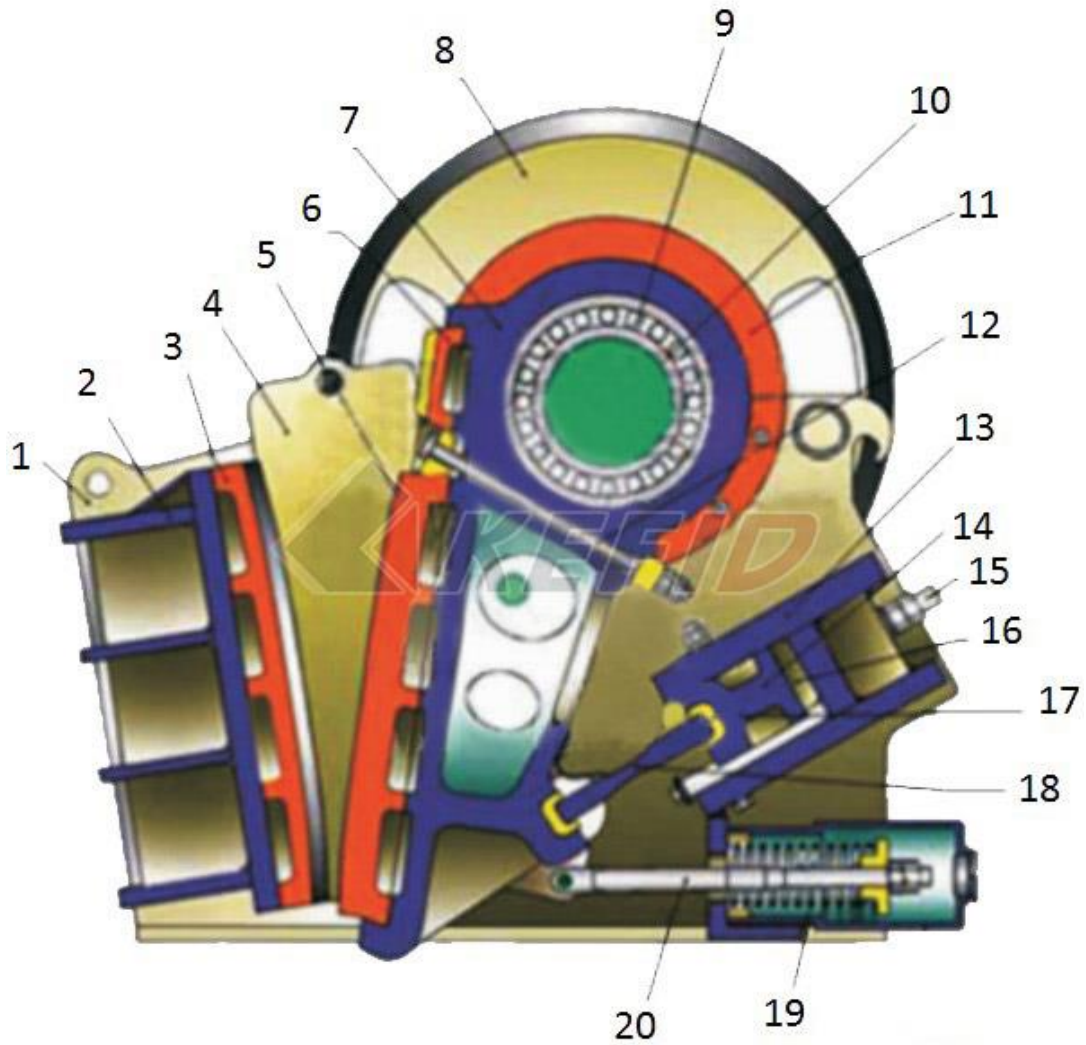
Powerful giant jaws, Crushing blade

K series coarse crushing plant is considered as the most powerful crushing plants in China. It owns awesome big mouth, strong and giant jaws can easily crush all the materials in different hardness. It is indeed the sharpest crushing blade with excellent crushing ratio.



Extended functions

The interchange for jaw crusher and cone crusher: Interchange system for feeding unit and crushing unit, only need price for single crusher, it can achieve the interchange for different units including the feeding unit and the interchange for jaw crusher and cone crusher in a short time at the quarry. Different systems match perfectly and adopt widely for different use, which optimizes the value for customers.



- | | |
|------------------------|------------------------------------|
| 1- Side plate | 11- Bearing seat |
| 2- Front box component | 12- Movable jaw stay bolt |
| 3- Fixed jaw plate | 13- After box weldment of frame |
| 4- Upper side plate | 14-Fixed adjustment slant-block |
| 5- Movable jaw plate | 15- The slider locking lever |
| 6- Liner board | 16- Movable adjustment slant-block |
| 7- Movable jaw | 17- Toggle plate seat |
| 8- Belt pulley | 18- Toggle plate |
| 9- Bearing | 19- Spring |
| 10- Eccentric shaft | 20- Spring draw rod |

Technical Parameters of JC Series of European Jaw Crushers

Model	JC760×1100	JC840×1100	JC1100×1200	JC180×1300	JC250×1000	JC250×1300	JC400×600
Opening Size(mm)	760×1100	840×1100	1100×1200	180×1300	250×1000	250×1300	400×600
Max. FeedSize (mm)	620	720	930	150	220	220	350
Discharge Opening Range(mm)	75-200	100-225	150-275	10-30	20-40	70-100	35-85
Shaft Speed(r/min)	270	240	210	320	330	290	250
Capacity (t/h)	150-350	200-500	300-650	12-35	15-50	26-85	15-70
Motor	Power(kw)	110-132	132-160	185-200	30-37	30-37	37-45
	Speed(r/min)	985	985	740	980	980	980
Dimension(m)(LxWxH)	2600×2500 ×2200	3300×2320 ×3120	4140×2660 ×3560	1320×2150 ×1175	1400×1850 ×1310	1450×2150 ×1175	1920×1460 ×1840
Weight (kg)	24000	32000	59200	6000	6800	7800	8000

Note: Any change of European Type Jaw Crusher technical data shall not be advised additionally.



The Analysis of Large-scale Sand Production Line



Kefid **40-60tph** basalt crushing line in Russia



MATERIAL : basalt

FEEDING SIZE : 400mm

OUTPUT SIZE : 0-25mm , 25-38mm

CAPACITY : 40-60T/h

EQUIPMENT: PE500x750Jaw Crusher , JC250x1000Jaw
Crusher, 2YZS1548Vibrating Screen

Kefid **500TPH** granite crushing line in Malaysia



MATERIAL : granite

FEEDING SIZE : 930mm

OUTPUT SIZE : 10-30mm

CAPACITY : 500T/h

EQUIPMENT: JC1100X1200Jaw Crusher



The Strength of Kefid

Kefid Machinery is a leading and pioneering enterprise with the most advanced international level in R&D, manufacturing and selling of large-scale crushing & screening plants and beneficiation plants. Located in a historic city and transportation hub in central China-Zhengzhou, covering 140 thousand square meters, Kefid has Shangjie and High-tech zone two production bases. Shangjie Zone which covers 80,000 square meters has three heavy-duty and modern integrated assembling workshops--occupying 50,000 square meters; High-tech zone has 22 floors R&D Management laboratory building with 26,000 square meters, comprehensive equipments exhibition hall with 5,100 square meters, heavy-duty and modern integrated assembling workshop with 10,000 square meters, and also has the industry's most advanced machining workshop 20,000 square meters, and hundred sets of advanced large-scale vertical lathe, fixed lathe, planner, boring lathe, grinder and milling machines.



SERVICE-With Me- Enjoy your pleasant journey

Your profit is our greatest concern and your praise is the biggest compliment that we diligently strive for. Our aim is, with the core of service, tailored for you the most valuable products with comprehensive pre-sale, sale and after sale service.

Tel: 0086-371-67999255

Email: Sales@kefid.com



SPARE PARTS

JC Series Jaw Crusher



Weights for movable



Fixed jaw plate



Movable jaw plate



Lining board



wedge

Crushing Plant



Rotor Assembly



Liner Board



Hammer Bar



Wedge



Impact Plate

Sand-making Equipment



Circum Guard plate



Impact Plate



Impact Block



Hammer



wearproof Plate

PRODUCT LIST

Stationary Crushers

JC Series Jaw Crusher
Jaw Crusher
C6X Series Jaw Crusher
Primary Impact Crusher
CI5X Series Impact Crusher
Impact Crusher
CS Cone Crusher
Spring Cone Crusher
HPT Cone Crusher
Deep Rotor VSI Crusher
B Series VSI Crusher
VSI6S vertical shaft impact crusher

VU System Equipment

Dry Sand Making System
Dry-Mixed Mortar Sand Making Equipment
Concrete-Use Sand Making Equipment

Grinding Mills

Ultra Fine Vertical Grinding Mill
VM - Vertical Grinding Mill
European Tech. Grinding Mill
Micro Powder Mill
Raymond Mill
Ball Mill

Washing & Screening

F5X Heavy Vibrating Feeder
Screw Sand Washing Machine
Wheel Sand Washing Machine
Vibrating Feeder
Belt Conveyor

K series mobile plants

Primary mobile crushing plant
Mobile Secondary Crushing & Screening Plant
Independent Operating Combined Mobile Station
Fine crushing and screening mobile station
Fine crushing & washing mobile station
Three combinations mobile crushing plant
Four combinations mobile crushing plant

Crawler Mobile Crusher

Ore Beneficiation

Jaw Crusher
HPT Cone Crusher
Ball Mill
Rotary Kiln
Flotation Machine
High Gradient Magnetic Separator

Address: National HI-TECH Industry Development Zone.Zhengzhou,China.

Tel : 0086-371-67999255(24 Hour) / 67988500

Fax: 0086-371-67998980

Zip code: 450001

Email: sales@kefid.com

Web: <http://www.kefid.com>

